

Quote  Order

Purchase Order #

Client Name

COMPANY \_\_\_\_\_ SHIP TO \_\_\_\_\_

DATE \_\_\_\_\_ CITY \_\_\_\_\_

CONTACT NAME \_\_\_\_\_ STATE | PROV \_\_\_\_\_ ZIP | POSTAL \_\_\_\_\_

PHONE \_\_\_\_\_ EMAIL \_\_\_\_\_

## RESPIRA™ Back Support Kit Includes

- Ventilated Alloy Shell, 300 lb (136 kg) weight limit
- Sport Trim Kit **or** Comfort Trim Kit
- AirFlow Outer Cover
- Fixed Adjustable “FA” Mounts
- Hex Key tool
- 12 Month Warranty

### SPORT TRIM

- Stimulite padding
- Silver embedded 3D Air Mesh
- Chrome edge trim

### COMFORT TRIM

- Perforated gel infused memory foam
- SpaceTex® 3D Air Mesh cover
- Black edge trim

### Optional

- Bolt Action Quick Release “BA” Mounts
- LUBS Lateral System
- Active Ventilation Fan

## LOWER THORACIC

SPORT TRIM					
DEPTH	WIDTH	HEIGHT	MODEL	MSRP	QTY
<b>3” (8 cm)</b>	12” (30 cm)	10” (25 cm)	RBS1210	\$1295	
		12” (30 cm)	RBS1212	\$1295	
	14” (35 cm)	10” (25 cm)	RBS1410	\$1295	
		12” (30 cm)	RBS1412	\$1295	
	16” (41 cm)	10” (25 cm)	RBS1610	\$1295	
		12” (30 cm)	RBS1612	\$1295	
	18” (46 cm)	10” (25 cm)	RBS1810	\$1295	
		12” (30 cm)	RBS1812	\$1295	
	20” (51 cm)	10” (25 cm)	RBS2010	\$1295	
		12” (30 cm)	RBS2012	\$1295	




## MID THORACIC

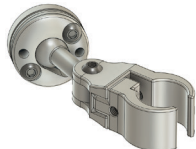
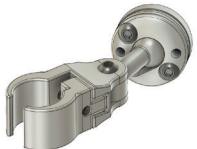
SPORT TRIM					
DEPTH	WIDTH	HEIGHT	MODEL	MSRP	QTY
<b>3” (8 cm)</b>	12” (30 cm)	14” (35 cm)	RBS1214	\$1295	
		16” (41 cm)	RBS1216	\$1295	
	14” (35 cm)	14” (35 cm)	RBS1414	\$1295	
		16” (41 cm)	RBS1416	\$1295	
	16” (41 cm)	14” (35 cm)	RBS1614	\$1295	
		16” (41 cm)	RBS1616	\$1295	
	18” (46 cm)	14” (35 cm)	RBS1814	\$1295	
		16” (41 cm)	RBS1816	\$1295	
	20” (51 cm)	14” (35 cm)	RBS2014	\$1295	
		16” (41 cm)	RBS2016	\$1295	




## Mounting Hardware (1 Pair included per kit)



### Fixed Adjustable “FA” Mount - (standard)

DESCRIPTION	LENGTH	MSRP	<input checked="" type="checkbox"/>	QTY
FA Mount Pair	1.6” / 4cm Arm	Incl.		
FA Mount Pair (Extended)	2.1” / 5.5cm Arm	+\$25		

### Bolt Action Quick Release “BA” Mount - (optional)

DESCRIPTION	LENGTH	MSRP	<input checked="" type="checkbox"/>	QTY
BA Mount (Left/Right)	1” / 2.5 cm	+\$289		

Continued on next page...

**MID THORACIC**

COMFORT TRIM					
DEPTH	WIDTH	HEIGHT	MODEL	MSRP	QTY
<b>3"</b> (8 cm)	12" (30 cm)	14" (35 cm)	RBC1214	\$1195	
		16" (41 cm)	RBC1216	\$1195	
	14" (35 cm)	14" (35 cm)	RBC1414	\$1195	
		16" (41 cm)	RBC1416	\$1195	
		18" (46 cm)	RBC1418	\$1195	
	16" (41 cm)	14" (35 cm)	RBC1614	\$1195	
		16" (41 cm)	RBC1616	\$1195	
		18" (46 cm)	RBC1618	\$1195	
	18" (46 cm)	14" (35 cm)	RBC1814	\$1195	
		16" (41 cm)	RBC1816	\$1195	
		18" (46 cm)	RBC1818	\$1195	
	20" (51 cm)	14" (35 cm)	RBC2014	\$1195	
16" (41 cm)		RBC2016	\$1195		
18" (46 cm)		RBC2018	\$1195		

Profile

**MID THORACIC DEEP**

COMFORT TRIM					
DEPTH	WIDTH	HEIGHT	MODEL	MSRP	QTY
<b>6"</b> (15 cm)	12" (30 cm)	14" (35 cm)	RBD1214	\$1295	
		16" (40 cm)	RBD1216	\$1295	
	14" (35 cm)	14" (35 cm)	RBD1414	\$1295	
		16" (41 cm)	RBD1416	\$1295	
		18" (46 cm)	RBD1418	\$1295	
	16" (41 cm)	14" (35 cm)	RBD1614	\$1295	
		16" (41 cm)	RBD1616	\$1295	
		18" (46 cm)	RBD1618	\$1295	
	18" (46 cm)	14" (35 cm)	RBD1814	\$1295	
		16" (41 cm)	RBD1816	\$1295	
		18" (46 cm)	RBD1818	\$1295	
	20" (51 cm)	14" (35 cm)	RBD2014	\$1295	
16" (41 cm)		RBD2016	\$1295		
18" (46 cm)		RBD2018	\$1295		

Profile

**UPPER THORACIC**

COMFORT TRIM					
DEPTH	WIDTH	HEIGHT	MODEL	MSRP	QTY
<b>3"</b> (8 cm)	14" (35 cm)	20" (51 cm)	RBC1420	\$1195	
			RBC1620	\$1195	
	18" (46 cm)		RBC1820	\$1195	
	20" (51 cm)		RBC2020	\$1195	

Profile

**UPPER THORACIC DEEP**

COMFORT TRIM					
DEPTH	WIDTH	HEIGHT	MODEL	MSRP	QTY
<b>6"</b> (15 cm)	14" (35 cm)	20" (51 cm)	RBD1420	\$1295	
	16" (41 cm)		RBD1620	\$1295	
	18" (46 cm)		RBD1820	\$1295	
	20" (51 cm)		RBD2020	\$1295	

Profile

**ACTIVE VENTILATION FAN + CARBON FIBRE MOUNT**

MODEL	MSRP	<input checked="" type="checkbox"/>	QTY
RBFAN	\$249		



**Specifications:**

Speed: 2900RPM - 4200RPM  
 Battery Life Time: High Speed 3.3 hrs / Mid-Speed 5 hrs / Low Speed 16 hrs  
 Material: ABS + Electronic Components  
 Battery Capacity: 3000mAh (Included)  
 Output Power: 3.6W  
 Ports: USB 2.0, USB Type-C, Micro USB  
 Charging Time: 3-4 Hours (USB 2.0)  
 Size: 8cm x 4.9cm x 10.9cm (3.15" x 1.93" x 4.29")

**Package Includes:**

- 1 x USB Cooling Fan
- 1 x USB 2.0 Charging Cable
- 1 x Carbon Fibre Mount

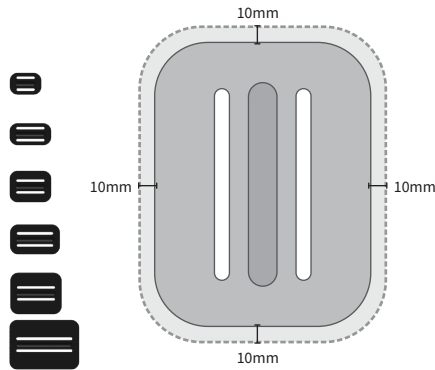


Prices are subject to change without notice.

## Planar Pad Configuration

### PLANAR PAD SUPPORT (Swing Away Hardware included)

MODEL	MSRP	LEFT	RIGHT	BACK MOUNT	CANE MOUNT
LUBS34	\$607				
LUBS35	\$607				
LUBS45	\$607				
LUBS46	\$607				
LUBS56	\$607				
LUBS57	\$607				



### STANDALONE SWING AWAY HARDWARE

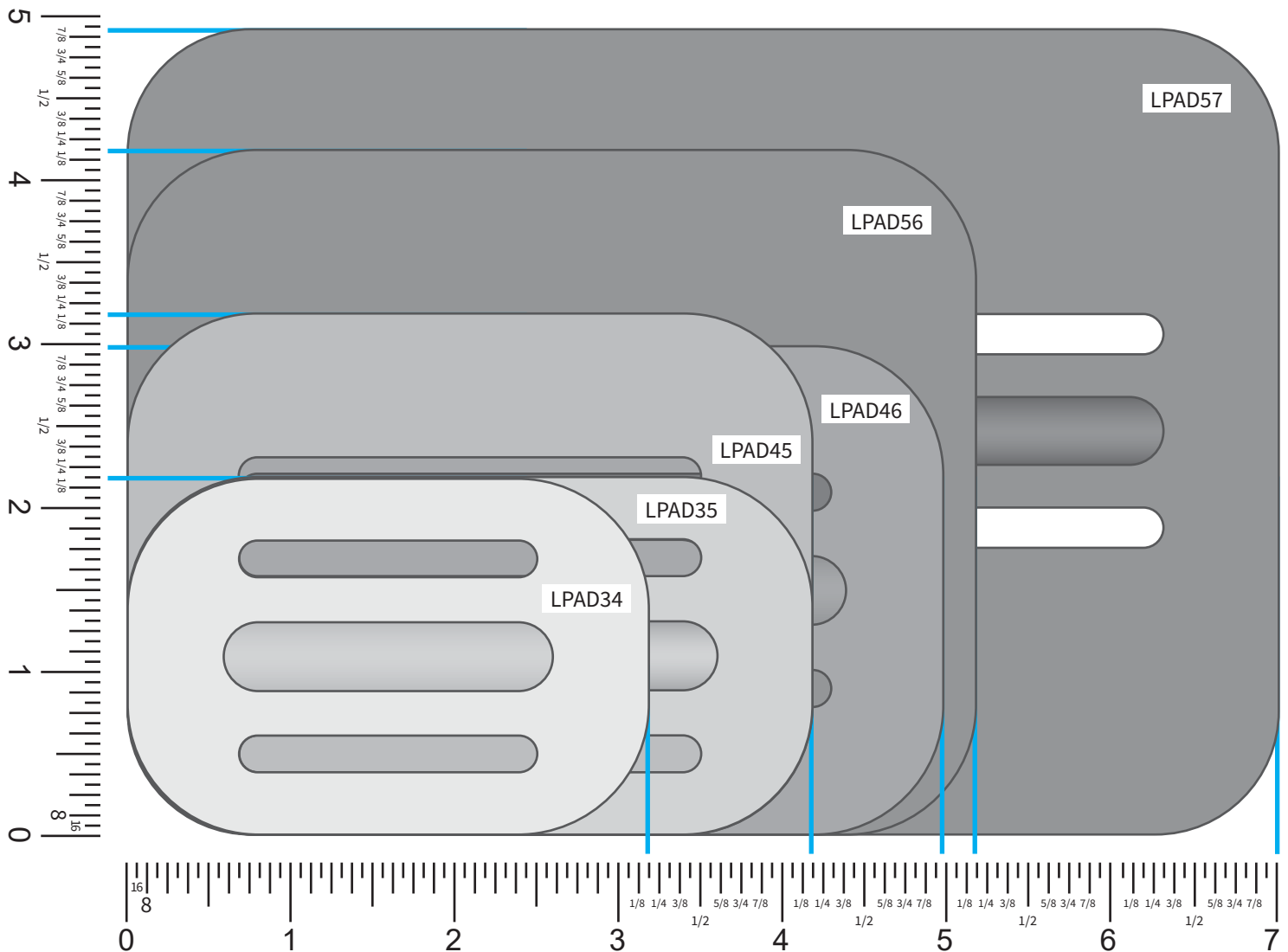
ARM LENGTH	MODEL	MSRP	LEFT	RIGHT	BACK MOUNT	CANE MOUNT
*3 7/8" (10 cm)	LUBSAH	\$397				

\*Note: Mounting arm can be cut to desired length  
Back Mount shown above. Also available with Cane Mount.

\*L.U.B.S. Pads increase profile of the plates on all sides by 10mm.  
Replacement pads sold separately for: \$209/each

## L.U.B.S. PLATE DIMENSIONS

Diagram to scale when printed at 100% size on 8.5 x 11" standard paper.



Prices are subject to change without notice.

## FREE FORM SUPPORT (Swing Away Hardware included)

WIDTH	HEIGHT	MODEL	MSRP	LEFT	RIGHT	BACK MOUNT	CANE MOUNT	FOAM	STIMULITE (+\$49)
4" (10 cm)	4" (10 cm)	LUBSFF3	\$797						
4" (10 cm)	5 5/8" (14 cm)	LUBSFF4	\$832						
4" (10 cm)	6 7/8" (17 cm)	LUBSFF5	\$867						
6" (15 cm)	6 7/8" (17 cm)	LUBSFF7	\$902						
6" (15 cm)	9 1/4" (23 cm)	LUBSFF10	\$937						
-	-	LUBSFFCUST	Per Request						

## Free Form Pad Configuration



Free Form LUBS provides the ability to create a custom contoured trunk support pad. Each size comes with a removable Free Form padded cover and swing-away hardware.

LUBSFF3



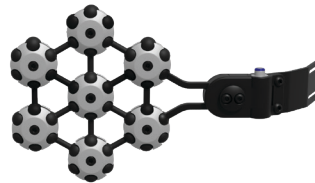
LUBSFF4



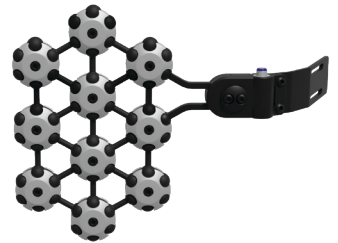
LUBSFF5



LUBSFF7

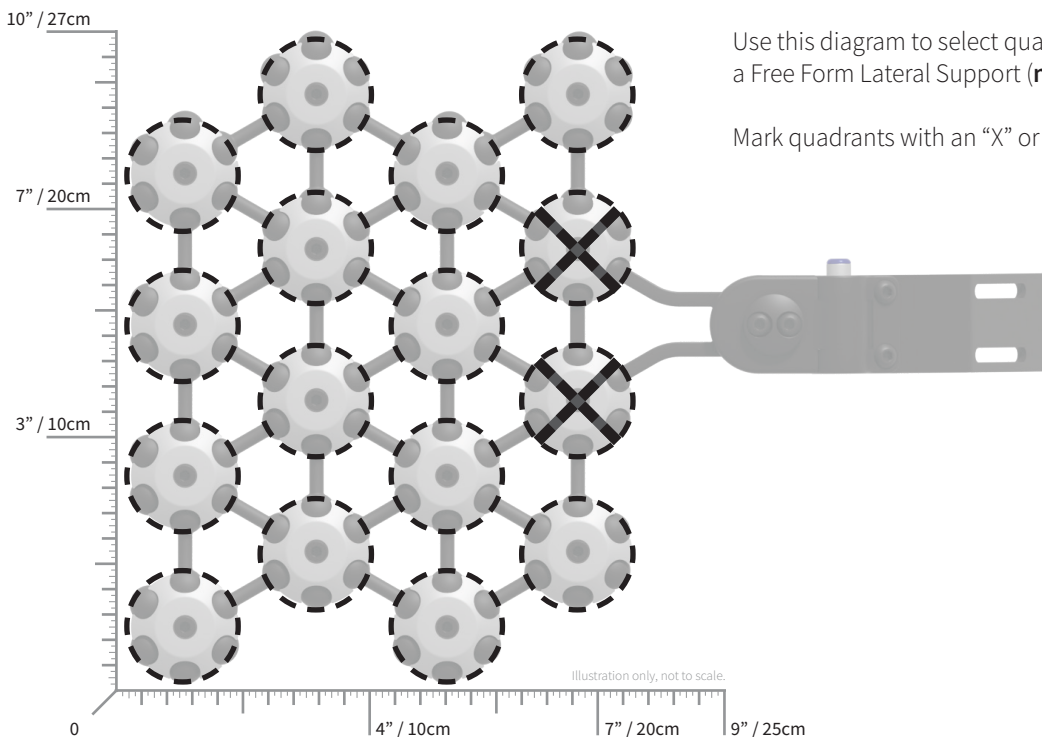


LUBSFF10



## Custom Sizes

LUBSFFCUST



Use this diagram to select quadrants included to build a custom shape for a Free Form Lateral Support (**not to scale**).

Mark quadrants with an "X" or fill in the circle completely to indicate shape.



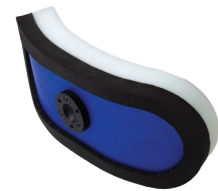
## APEX Headrest Pads

	WIDTH	COVER	MODEL	MSRP	COLOUR CODE	QTY
	200mm (8")	NEOPRENE	AP200	\$265		
	200mm (8")	STARTEX	AP200S	\$315		
	250mm (10")	NEOPRENE	AP250	\$265		
	250mm (10")	STARTEX	AP250S	\$315		
	300mm (12")	NEOPRENE	AP300	\$285		
	300mm (12")	STARTEX	AP300S	\$340		
	350mm (14")	NEOPRENE	AP350	\$285		
	350mm (14")	STARTEX	AP350S	\$340		
	400mm (16")	NEOPRENE	AP400	\$305		
	400mm (16")	STARTEX	AP400S	\$365		
	450mm (18")	NEOPRENE	AP450	\$305		
	450mm (18")	STARTEX	AP450S	\$365		
	230mm (9")	NEOPRENE	APW230	\$325		
	230mm (9")	STARTEX	APW230S	\$387		
	280mm (11")	NEOPRENE	APW280	\$325		
	280mm (11")	STARTEX	APW280S	\$387		



## Apex Headrest - Colour Guide

COLOUR	COLOUR CODE
BLUE	-U
BLACK	-K
PINK	-P
PURPLE	-L
RED	-R



Shell & Foam (Internals)

## Savant™ Head Positioning Custom mouldable gel head support.

SIZE	COVER	MODEL	MSRP	QTY
Adult	Lycra	SAVANT-A	\$915	
Small	Lycra	SAVANT-S	\$915	
Pediatric	Lycra	SAVANT-P	\$915	
Adult	Carbon	SAVANTCC-A	\$940	
Small	Carbon	SAVANTCC-S	\$940	
Pediatric	Carbon	SAVANTCC-P	\$940	

## Savant™ Parts

COVER	MODEL	MSRP	QTY
Lycra	SAVANT-SP	\$94	
Carbon	SAVANTCC-SP	\$94	
Spacetex	SAVANT-HB*	\$94	

\*Note: Headband is included with each Savant Headrest.

## Savant™ Configurations

SIZE	COVER	MODEL	MSRP	QTY	COVER	MODEL	MSRP	QTY
Adult	Lycra	SAVANT-A-T	\$915		Carbon	SAVANTCC-A-T	\$940	
Small	Lycra	SAVANT-S-T	\$915		Carbon	SAVANTCC-S-T	\$940	
Pediatric	Lycra	SAVANT-P-T	\$915		Carbon	SAVANTCC-P-T	\$940	
Adult	Lycra	SAVANT-A-TM	\$915		Carbon	SAVANTCC-A-TM	\$940	
Small	Lycra	SAVANT-S-TM	\$915		Carbon	SAVANTCC-S-TM	\$940	
Pediatric	Lycra	SAVANT-P-TM	\$915		Carbon	SAVANTCC-P-TM	\$940	
Adult	Lycra	SAVANT-A-TB	\$915		Carbon	SAVANTCC-A-TB	\$940	
Small	Lycra	SAVANT-S-TB	\$915		Carbon	SAVANTCC-S-TB	\$940	
Pediatric	Lycra	SAVANT-P-TB	\$915		Carbon	SAVANTCC-P-TB	\$940	

## Savant™ Headrest



## Savant™ Headrest +Carbon Cover



## Savant™ Sidepad +Carbon Cover



## Savant™ Spacetex Headband



## Savant-T (Top)



## Savant-TM (Top-Middle)



## Savant-TB (Top-Bottom)



Prices are subject to change without notice.